



# Atlantic®

Product Manual | Manuel du Produit | Manual del Producto



## TRION3 - 74005



Telecharger dans l'App Store  
Consiguelo en el App Store



Disponible sur Google Play  
Disponible en Google Play

1.330.274.8317

[www.ATLANTICWATERGARDENS.com](http://www.ATLANTICWATERGARDENS.com)

## Introduction

Thank you for choosing the Triton Ionizer electronic water clarifier for Water Garden and Pond-free water features. This low voltage water management system electronically introduces minute quantities of copper ions into the water, which control organic growth and keep your pond crystal clear. At the appropriate levels, this mineralized water is safe for animals and plants and promotes healthy living conditions in the water. Mineralized water maintains a residual ability to treat organics and is not affected by heat or sunlight, greatly reducing or eliminating the need for harsh chemical treatments.

## Caution

- DO NOT operate this product under any condition other than those for which it is specified. Failure to observe the precaution can lead to electrical shock, product failure or other problems.
- Follow all applicable electrical codes when installing the Triton Ionizer.
- To reduce the risk of electrical shock, connect to a 120 volt receptacle protected by a ground fault circuit interrupter (GFCI).

## WARNING:

RISK OF ELECTRIC SHOCK – THIS TRANSFORMER IS SUPPLIED WITH A GROUNDING CONDUCTOR AND GROUNDING-TYPE ATTACHMENT PLUG. TO REDUCE THE RISK OF ELECTRIC SHOCK, BE CERTAIN THAT IT IS CONNECTED ONLY TO A PROPERLY GROUNDED, GROUNDING TYPE RECEPTACLE.

## Prior to Installation

Heavy organic loads or large amounts of debris will greatly reduce the Ionizer's effectiveness. If installing the Ionizer in an existing pond, a thorough clean-out is recommended prior to operation. If excessive amounts of debris are present, it will take much longer to raise the mineral level of the water and achieve the desired results. Always test the water for pH and Alkalinity before you start so you have a base reading for comparison during treatment.

**Note:** For large bodies of water it is best to have multiple outlets for the copper ions to disperse evenly.

If the body of water requires more than one Triton Ionizer, they should be plumbed through a manifold. This ensures that each unit is releasing the full amount of copper ions evenly.

## Water Parameters for Optimal Performance:

The Triton Ionizer works best when the water feature parameters remain within the limits listed below. The water feature's water parameters can change during the season, especially in features that experience excessive evaporation and require significant water to be added. Many times a simple water change can help reset the water feature's water parameters.

- **Total Alkalinity 80-120ppm**

**Note:** Copper becomes less effective the higher the Alkalinity. If the Alkalinity is over 200ppm, the copper ions will remain in a dormant state.

**Warning: Copper ions can be toxic to fish if the alkalinity is below 50ppm**

- **pH 7.2-7.8**

**Note:** pH can be affected by heavy debris loads

**Warning: Copper ions can become toxic when pH is below 6.8**

**Under ideal water conditions, set at level 10, it will take 7 days to bring copper levels up to the effective mineralization level of between 0.1 and 0.3 parts per million (ppm) for every 2500 gallons of water.** Larger volumes or poorly circulated water features will require additional time to reach an effective mineralization level. For example, a water feature with 7,500 gallons of water will take approximately 21 days to reach an effective mineralization level between 0.1 and 0.3ppm. Natural bacteria and algae treatments should be added to control organics until the copper ions reach effective levels. Bacterial treatments for sludge control should be used on a regular basis in conjunction with the Triton Ionizer.

# Installation

## TRION3 with Triton TR215CV Check Valve:

Install the TR215CV Triton Check Valve at the appropriate discharge height by following the instructions included with the product. Install the union nut and 2" outlet fitting in accordance to the Triton Check Valve instructions.

Attach the 2" outlet fitting on the Triton Check Valve to the 2" spigot end of the electrode chamber using PVC glue and cleaner to make the connection. The Triton Ionizer can operate with the electrodes facing in a vertical (up or down) or horizontal direction and can be adjusted at any time by loosening the union nut, twisting the electrode chamber and re-tightening the union nut. (Figure 1)

Attach the waterfall feed line to the 2" outlet of the Triton lonizer. If the waterfall feed line is 1/2" or smaller, replace the 2" outlet fitting on the Triton lonizer with the 1/2" outlet fitting or stepped adapter included with the Triton Check Valve. Use PVC glue and cleaner to make the connection.

Install the electrodes into the electrode chamber. The electrode body has a double O-ring to ensure a watertight seal. Please inspect the electrodes before installation to verify that both O-rings are in place. (Figure 2)

Align the arrow on the top of the electrodes with the word "align" on the electrode housing. Push downward on the electrodes and turn in the "close" or clockwise direction until the arrows align with the electrode arrow pointing directly down the center line of the lonizer outlet. (Figure 3)

Mount the control panel in the desired location. The control panel is weatherproof, but should be mounted above the ground on a wall or post. Ensure that the power cord is within reach of a properly grounded GFCI outlet, and that the outlet cord can reach the electrodes. Connect the outlet cord to the electrodes and the power cord to the supplied 12 volt AC transformer using the quick-connect attachments. (Figure 4)



Figure 1



Figure 2

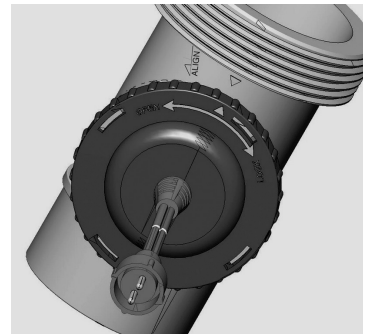


Figure 3



Figure 4

## Inline Installation:

The Triton Ionizer can be easily retrofitted to any existing water feature with rigid PVC, flexible PVC or kink-free tubing feed line. If the Ionizer is installed outside the pump vault or skimmer, an irrigation valve box should be used to provide access for routine maintenance.

If the Ionizer is to be installed into a rigid or flex PVC feed line, the use of a 2" union or rubber coupling on the spigot end of the electrode housing is recommended. This will allow the electrode housing to be fully removed for inspection, winterization or replacement without further alterations to the plumbing. PVC reducing fittings can be used for connection to PVC feed lines smaller than 2" in diameter.

For installation in PVC feed lines greater than 2" diameter, the use of a plumbing bypass is recommended. This plumbing configuration allows some of the water flow to be diverted through the electrode housing without causing additional backpressure to the pump. (Figure 5)

An insert step fitting for connection to 1", 1/4" or 1/2" kink-free tubing is supplied with the Triton Ionizer. Attach the step fitting to the electrode housing using PVC glue and cleaner to make the connection. Install the Ionizer and secure the tubing with stainless steel hose clamps (not included). If using 1/4" or 1/2" tubing, the insert fitting will need to be trimmed to provide the proper outlet diameter for maximum water flow. Use a hacksaw or PVC saw to cut off smaller, unneeded inset steps at the cut lines indicated below. (Figure 6)

## Operation

The Triton Ionizer must have water flowing through the electrode housing at all times when the unit is turned on. During operation, ions jump from one electrode to the other and are swept away by the flowing water. The Control Panel reverses polarity regularly to ensure even consumption of the electrodes.

Operating the Ionizer without a strong flow of water across the electrodes will allow the ions to simply jump across to the opposite electrode instead of being carried into the water feature. This "short-circuiting" of the distribution of ions results in excessive corrosion of the electrodes and insufficient treatment of the water. Turn power off to the Ionizer any time that power to the pump is turned off. The control panel will return to the previous level of ionization when power is restored.

- Turn on the pump and plug in the outdoor transformer.
- Program the level of ionization. To enter the program mode, depress and hold the + or - button on the front of the control panel for 3 seconds or until the number display begins flashing. Use the + and - buttons to raise and lower the level of ionization. The control panel will exit the program mode automatically once adjustments are complete.
- Monitor copper levels using the supplied test strips over a period of days. Once copper level is reached, replace the test strip. **Caution: Copper levels above 0.3ppm can be harmful to aquatic life.** TRION-TS test strips supplied with the Triton Ionizer are vacuumed packed with a shelf life of 2 years. The manufacture date is printed on the lid of the bottle. Replace expired test strips for accurate results.

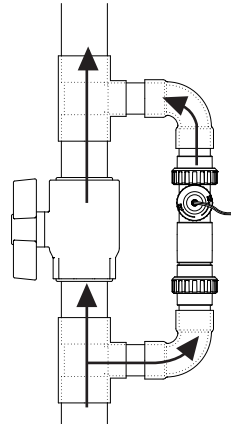


Figure 5

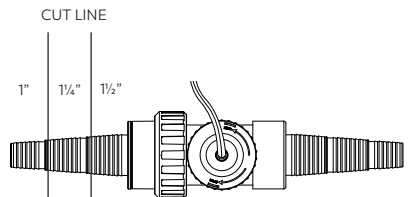


Figure 6

- Test water weekly to ensure that copper readings are at the correct level. If needed, the level of ionization can be adjusted using the + and - buttons on the control panel.
- Once desired water clarity is achieved, operating the Triton Ionizer at minimum levels and adjusting based on the conditions of the water feature will help prolong the life of the electrodes.

## Water Conductivity

The level of ionization can be adjusted on a scale from 1 to 10 in the program mode. However, if the water does not contain sufficient mineral content for proper conductivity the control panel will automatically lower the level of ionization to match the level of conductivity in the water.

Example: The level of ionization is set at '10' in the program mode, however, upon exiting the program mode the display changes from '10' to '7'. This is because the mineral level of the water (conductivity) can only support an ionization level of 7. Conductivity can be increased by adding sea salt to the system at a rate of ½ to 1 cup per hundred gallons of water.

**Note:** Water volume, total alkalinity and the amount of debris in a pond are all factors that may affect how quickly copper levels are elevated. Please note that it may take several weeks of operation for copper levels to become detectable. It is not unusual for the test strips to show low copper levels after long periods of operating at "full" power. This is due to copper ions being consumed within the water feature as they break down organics. If test strips indicate copper levels above 0.3ppm, reduce ionization to '00' until tests results are within the safe range. A partial water change will also aid in reducing copper levels.

## Maintenance and Inspection

During normal operation the power indicator on the control panel will illuminate as a solid green color and the ionization indicator will illuminate as solid blue. This indicates that the unit is operating correctly and no maintenance is required. If either indicator light is flashing, please refer to the trouble shooting section of the manual to identify the cause and corresponding corrective measure.

**Note:** Whether the control panel indicates a malfunction or not, it is recommended to periodically remove the electrodes and inspect for corrosion and debris build-up. Removing the corrosion or debris will help extend the life of the electrodes. Remove corrosion with steel wool or fine sandpaper.

## Winterization

Colder weather will naturally reduce organic growth, which subsequently reduces the demand for copper ions. It is recommended to shut down the Triton Ionizer during winter months to extend the life of the electrodes for warmer periods when most needed. The control panel is weather proof, but can be removed and stored inside to further protect it during the winter.

### Installed with TR215CV:

- If the water feature will be shut down during winter months, it is recommended to remove the Triton Ionizer along with the pump and check valve. Turn the pump off. Loosen the outlet fitting on the Triton Ionizer and remove the entire pump assembly. Clean and thoroughly dry components, then store indoors.
- If the water feature will run during winter months, it is recommended to remove and store the Triton Ionizer. Turn the pump off. Loosen the union fittings on both sides of the electrode housing and remove. Attach the male end of the check valve to the union fitting on the waterfall feed line. Turn on pump.

## **Inline Installation:**

- If the water feature will be shut down during winter, it is recommended to remove and store the Triton Ionizer. Turn the pump off and loosen the factory union fitting on the waterfall side of the electrode housing and the customer supplied union on the other. Remove the electrode housing, drain and store. If desired, the unit may be left in place with the unions open, as long as care is taken to prevent water from accumulating in the Ionizer housing.
- If the water feature will run during winter months in an inline installation, the electrode housing and electrodes must remain installed. Water must run through the electrode chamber continuously to prevent freezing.

## **Warranty**

The Triton Ionizer carries a three-year limited warranty. This limited warranty is extended solely to the original purchaser commencing from the date of original purchase receipt. The following apply:

- Manufacturer will replace parts found to be defective including control panel, electrode housing, transformer and fittings.
- Electrodes are a wearable part and are not covered by this warranty. They are guaranteed to be free of defects.
- A cut or altered power cord voids this warranty.
- A misused or abused product voids this warranty.

## **Warranty Claims**

In case of warranty claims, the complete Ionizer should be returned to place of purchase accompanied by original receipt.

## Troubleshooting Guide

Always turn off power before inspecting. Failure to observe this precaution can result in a serious accident.

Before ordering repairs, carefully read through this instruction booklet. If the problem persists, contact your dealer.

Problem	Possible Cause	Possible Solution
Control Panel will not illuminate	No power to the Control Panel	Inspect the GFCI outlet / 12 volt AC transformer output
	Controller failure	Contact Dealer for repair/ replacement
Power indicator is flashing (GREEN)	Excessive corrosion or debris lodged between the electrodes	Remove the electrodes by rotating ¼ turn counter clockwise. Inspect electrodes and remove any debris.
	Insufficient water flow through the electrodes	Increase water flow/ tubing diameter
Ionization indicator is flashing (BLUE) while the display reads '00'	Ionization level is set to '00'	Raise ionization level on the control panel
	Control Panel cannot detect a connection to the electrode	Inspect the quick-connect plug on the Electrode and verify that the line to the control panel is not damaged
	The electrodes are not fully immersed in water	Check the water flow through the electrode housing and verify that the housing is full of water.
	Electrodes are fully depleted	Replace depleted electrodes with TRION2-RA replacement
The number displayed on the control panel is lower than the selected level	The water is not conductive enough to support the selected ionization level	Refer to Water Conductivity on page 5
	Electrode are almost depleted	Replace depleted electrodes with TRION2-RA replacement
Low copper level after 7-10 days of operation	Level of ionization set too low	Increase the level of ionization and monitor copper levels
	Copper ions being consumed within the water feature as they break down excessive organics	Remove decomposing leaves, debris and string algae from the water feature to reduce organic loads and monitor copper levels
High copper level	Level of ionization set too high	Reduce ionization level to '00' on the display until test results are below .03 ppm. A partial water change will also aid in reducing copper levels

## Introduction

Merci d'avoir choisi le clarificateur électronique d'eau l'Ioniseur Triton, pour jardins aquatiques et autres zones d'eau libre/bassins. Ce système de gestion de l'eau à basse tension ajoute électroniquement une minuscule quantité d'ions de cuivre dans l'eau, afin de limiter le développement organique et de conserver la pureté de votre bassin. Aux niveaux appropriés, cette eau minéralisée est sûr pour les animaux et les plantes et favorise des conditions de vie saines dans l'eau. L'eau minéralisée conserve une capacité résiduelle à traiter les substances organiques et n'est pas affectée par la chaleur ou la lumière du soleil, ce qui réduit considérablement ou élimine le besoin d'utiliser des traitements chimiques agressifs.

## Attention

- NE FAITES PAS fonctionner cet appareil dans d'autres conditions que celles pour lesquelles il est spécifié. La non-observation de ces précautions peut entraîner une commotion électrique, mettre le produit en panne ou causer d'autres problèmes.
- Respectez toutes les normes des codes électriques locaux au cours de l'installation du clarificateur par ionisation Triton.
- Pour réduire le risque de commotion électrique, ne branchez que sur une prise secteur en 120 volts, protégée par un disjoncteur sur fuite à la terre (GFCI).
- **AVERTISSEMENT:** RISQUE DE CHOC ÉLECTRIQUE - CET APPAREIL EST FOURNI AVEC UN CONDUCTEUR DE TERRE ET UNE FICHE D'ALIMENTATION AVEC BROCHE DE TERRE. POUR RÉDUIRE LE RISQUE DE COMMOTION ÉLECTRIQUE, ASSUREZ-VOUS QU'IL N'EST BRANCHÉ QUE SUR UNE PRISE SECTEUR CORRECTEMENT RELIÉE À LA TERRE.

## Avant l'installation

De lourdes charges organiques ou une accumulation de débris réduiront sensiblement l'efficacité de l'Ioniseur. Si vous installez l'appareil dans un bassin existant, un nettoyage de ce dernier est conseillé avant de le faire fonctionner. S'il y a des quantités excessives de débris, il faudra plus longtemps pour élever le niveau minéral de l'eau et atteindre les résultats voulus. Testez toujours le pH et l'alcalinité avant de commencer, afin d'avoir une mesure de base pour la comparaison durant le traitement.

**Remarque:** Pour de grandes réserves d'eau, il vaut mieux avoir plusieurs sorties pour les ions de cuivre, afin de faciliter leur dispersion.

Si le volume d'eau nécessite plus d'un Ioniseur Triton, il faut une plomberie de raccordement avec un collecteur de distribution. Cela assure que chaque appareil va libérer sa quantité complète d'ions de façon régulière.

## Paramètres de l'eau pour une performance optimale:

L'Ioniseur Triton fonctionne au mieux quand les paramètres de l'eau restent dans les limites données ci-après. Ces paramètres peuvent changer au cours de la saison, notamment dans les installations où l'évaporation est importante et qui, par conséquent, nécessitent l'ajout d'une grande quantité d'eau. Dans la plupart des cas, un simple renouvellement d'eau peut contribuer à rétablir les paramètres de l'eau voulus.

### • Alcalinité totale 80-120 ppm

**Remarque:** Le cuivre devient d'autant moins efficace que l'alcalinité augmente. Si elle dépasse 200 ppm, les ions de cuivre restent en sommeil.

**Avertissement:** Les ions de cuivre deviennent toxiques si le pH descend à moins de 6,8

### • pH de 7,2-7,8

**Remarque:** Le pH peut être affecté par des charges importantes composées de débris

**Avertissement:** Les ions de cuivre deviennent toxiques si le pH descend à moins de 6,8



Dans des conditions d'eau idéales, avec un réglage au niveau 10, pour faire augmenter les niveaux de cuivre jusqu'au niveau de minéralisation efficace, soit entre 0,1 et 0,3 parties par million (ppm), il faudra sept jours pour 9500 litres (2,500 gallons) d'eau. Les volumes plus élevés ou les éléments de jardin d'eau ayant une mauvaise circulation exigeront un temps supplémentaire pour atteindre un niveau de minéralisation efficace. Par exemple, un élément de jardin d'eau contenant 28400 litres (7500 gallons) d'eau exigera environ 21 jours pour atteindre un niveau de minéralisation efficace, entre 0,1 et 0,3 ppm. Un traitement naturel contre les bactéries et les algues doit être ajouté pour contrôler les substances organiques jusqu'à ce que les ions de cuivre atteignent des niveaux efficaces. On doit utiliser régulièrement des traitements bactériens pour le contrôle de la boue avec l'ioniseur Triton.

## Installation

### TRION3 avec clapet antiretour Triton TR215CV:

Installez le clapet anti-retour Triton TR215CV à la hauteur de déchargement appropriée en suivant les instructions accompagnant le produit. Installez l'écrou de jonction et le raccord de sortie 2" en conformité avec les instructions du clapet anti-retour de Triton.

Fixez le raccord de sortie 2" sur le clapet anti-retour de Triton, à l'extrémité mâle de 2" de la chambre d'électrodes, en utilisant une colle et un nettoyant pour PVC afin de réaliser la connexion. L'ioniseur Triton peut fonctionner avec les électrodes orientées dans la direction verticale (vers le haut ou le bas) ou horizontale, et elles peuvent être ajustées à tout moment en desserrant l'écrou de jonction, en tournant la chambre d'électrodes puis en resserrant l'écrou de jonction. (Figure 1)

Fixez la conduite d'alimentation de cascade sur la sortie en 2" de l'ioniseur Triton.

Si cette conduite est de 1½" ou moins, remplacez le raccord de sortie de 2" sur l'ioniseur Triton par le raccord de sortie de 1½" inclus avec le clapet anti-retour de Triton. Utilisez une colle et un nettoyant pour PVC afin de réaliser la connexion.

Installez les électrodes dans la chambre à électrodes. Le corps des électrodes a un anneau torique double pour assurer une étanchéité à l'eau. Veuillez inspecter les électrodes avant leur installation pour vérifier que ces joints toriques sont bien en place. (Figure 2)

Alignez la flèche en haut des électrodes avec la flèche d'alignement sur le logement d'électrode. Poussez vers le bas sur les électrodes et tournez dans la direction de fermeture en sens horaire jusqu'à ce que la prochaine flèche s'aligne avec les points de flèche de l'électrode directement en bas de la ligne axiale de la sortie d'ioniseur. (Figure 3)



Figure 1



Figure 2

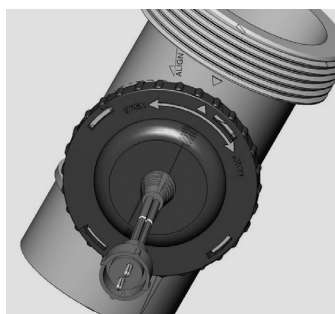


Figure 3

Montez le panneau de commandes à l'emplacement voulu. Ce panneau de commandes est étanche à l'eau, mais doit se monter au-dessus du sol, sur un mur ou un poteau. Assurez-vous que le cordon d'alimentation est à portée d'une prise secteur protégée reliée à la terre, et que le cordon de sortie peut aller jusqu'aux électrodes. Branchez le cordon de sortie aux électrodes et le cordon d'alimentation sur la sortie 12 V CA du transformateur en utilisant les dispositifs de connexion rapide. (Figure 4)



Figure 4

### Installation en ligne:

L'ioniseur Triton peut facilement être ajouté à tout élément de jardin d'eau existant ayant une ligne d'alimentation de PVC, de PVC flexible ou de tuyau sans entortillement. Si l'ioniseur est installé à l'extérieur de la voûte de pompe ou de l'écumoire, on doit installer une boîte d'irrigation pour fournir un accès à des fins d'entretien routinier.

L'ioniseur Triton peut facilement être ajouté à tout élément de jardin d'eau existant ayant une ligne d'alimentation de PVC, de PVC flexible ou de tuyau sans entortillement. Si l'ioniseur est installé à l'extérieur de la voûte de pompe ou de l'écumoire, on doit installer une boîte d'irrigation pour fournir un accès à des fins d'entretien routinier.

Pour l'installation dans des lignes d'approvisionnement de diamètre supérieur à 2"/51mm on recommande d'utiliser un dispositif de contournement de plomberie. Cette configuration de plomberie permet à une partie du débit d'eau d'être déviée dans le boîtier de l'électrode, sans faire augmenter la contre-pression à la pompe. (Figure 5)

Pour l'installation dans des lignes d'approvisionnement de diamètre supérieur à 2"/51mm, on recommande d'utiliser un dispositif de contournement de plomberie. Cette configuration de plomberie permet à une partie du débit d'eau d'être déviée dans le boîtier de l'électrode, sans faire augmenter la contre-pression à la pompe. (Figure 6)

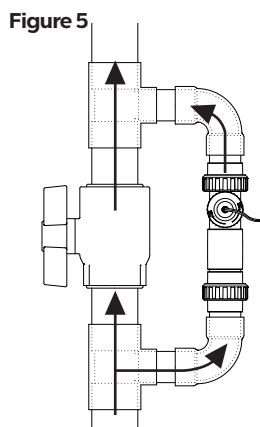
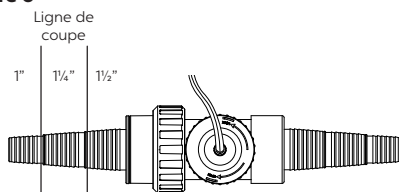


Figure 5

Figure 6



### Fonctionnement

L'ioniseur Triton doit avoir de l'eau passant au travers de son logement d'électrodes en permanence quand l'appareil est mis en marche. Durant le fonctionnement, des ions passent d'une tige d'électrode à une autre et sont emportés par l'écoulement de l'eau. Le panneau de commandes inverse régulièrement la polarité pour assurer une usure régulière des électrodes. Faire fonctionner l'ioniseur sans un fort écoulement d'eau traversant ses électrodes fera que les ions sauteront simplement d'électrode en électrode en face au lieu d'être emportés par le milieu aqueux. Ce circuit court de la distribution d'ions entraîne une corrosion excessive des électrodes et un traitement insuffisant de l'eau. Coupez l'alimentation de l'ioniseur à chaque fois que la pompe est désactivée. Le panneau de commandes va revenir au niveau d'ionisation précédent quand l'alimentation de l'appareil est restaurée.

- Activez la pompe et branchez le transformateur extérieur.
- Programmez le niveau d'ionisation. Pour passer en mode de programmation, appuyez sur le bouton + ou - du panneau de commandes et maintenez-le enfoncé pendant 3 secondes où jusqu'à ce que l'affichage de nombre commence à clignoter. Utilisez les boutons + et - pour élever ou abaisser le niveau d'ionisation. Le panneau de commandes va ressortir du mode de programmation automatiquement une fois que les ajustements sont terminés.
- Surveillez les niveaux de cuivre en utilisant les bandelettes de test fournies après quelques jours. Une fois que ces niveaux de cuivre ont monté entre 0,1 - 0,3 ppm, baissez le niveau d'ionisation aux niveaux 1 ou 2 du panneau de commandes. **Attention: Des niveaux de cuivre supérieurs à 0,3 ppm peuvent être dangereux pour la vie aquatique.** Les bandes de test TRION-TS fournies avec l'ioniseur Triton sont emballées sous vide et possèdent une durée de conservation de deux ans. La date de fabrication est imprimée sur le couvercle de la bouteille. Pour obtenir des résultats précis, remplacez les bandes de test expirées.
- Testez l'eau chaque semaine pour assurer que les résultats de mesure de cuivre sont au niveau correct. Si besoin est le niveau d'ionisation peut être rectifié en utilisant les boutons + et - du panneau de commandes.
- Une fois que la clarté voulue de l'eau est obtenue, faites fonctionner l'ioniseur Triton aux niveaux et ajustements minimaux en fonction des conditions de l'eau, cela prolongera la durée de service des électrodes.

## Conductivité de l'eau

Le niveau d'ionisation peut être réglé sur une échelle de 1 à 10 dans le mode de programmation. Cependant, si l'eau ne contient pas suffisamment de teneur minérale pour une bonne conductivité, le panneau de commandes va automatiquement baisser le niveau d'ionisation pour adapter au niveau de conductivité de l'eau.

Exemple: Le niveau d'ionisation est réglé sur 10 en mode de programmation, cependant en quittant le mode de programmation l'affichage change pour passer de 10 à 7. C'est du au fait que le niveau minéral de l'eau (conductivité) ne peut support qu'un niveau 7 d'ionisation. On peut augmenter la conductivité en ajoutant du sel marin au système, au taux de 125 à 250 ml (½ à 1 tasse) par 379 litres (100 gallons) d'eau.

**Remarque:** Le volume d'eau, l'alcalinité totale et la quantité de débris dans un bassin sont tous des facteurs qui peuvent affecter la vitesse à laquelle les niveaux de cuivre progressent. Veuillez noter qu'il peut falloir plusieurs semaines de fonctionnement pour que les niveaux de cuivre deviennent décelables. Il n'est pas exceptionnel que les bandelettes de test montrent des niveaux de cuivre faibles même après de longues périodes de fonctionnement à pleine puissance. Cela vient de ce que les ions de cuivre sont consommés dans le milieu aqueux en démolissant les matières organiques. Si les bandes de test indiquent des niveaux de cuivre au-dessus de 0,3 ppm, réduisez l'ionisation à « 00 » jusqu'à ce que les résultats des tests soient dans la plage sécuritaire. Un changement d'eau partiel peut également aider à réduire les niveaux de teneur en cuivre.

## Entretien et inspection

Pendant le fonctionnement normal, l'indicateur d'alimentation sur le panneau de commande s'illuminera continuellement en vert, et l'indicateur d'ionisation s'illuminera continuellement en bleu. Il est recommandé d'éteindre l'ioniseur Triton pendant l'hiver, afin de prolonger la durée de vie des électrodes pour les périodes plus chaudes, lorsqu'elles sont plus utiles. Si l'un de ces deux voyants indicateurs clignotait, veuillez vous référer à la section de dépannage de ce manuel pour identifier la cause et voir la mesure correctrice correspondante.

**Remarque:** Que le panneau de commandes indique ou non un dysfonctionnement, il est recommandé d'enlever périodiquement les électrodes et de les inspecter pour la corrosion et l'accumulation de débris. L'élimination de la corrosion et des débris va aider à prolonger la durée de service des électrodes. Enlevez la corrosion avec de la laine de fer ou du papier de verre.

## Préparation à l'hivernage

Un temps plus froid va naturellement réduire la croissance organique des algues, ce qui va par conséquent, réduire le besoin en ions de cuivre. Il est recommandé de couper l'ioniseur Triton durant les mois d'hiver afin d'augmenter la durée de service des électrodes pour les périodes plus chaudes où elles seront nécessaires. La panneau de commandes est étanche à l'eau, mais peut s'enlever et s'entreposer à l'intérieur pour plus de protection durant l'hiver.

### Installation avec un TR215CV:

- Si le débit d'eau sera coupé durant les mois d'hiver, il est recommandé d'enlever l'ioniseur Triton en même temps que la pompe et le clapet anti-retour. Coupez la pompe. Desserrez le raccord de sortie de l'ioniseur Triton et enlevez tout l'ensemble de pompe. Nettoyez les composants et séchez-les bien, puis entreposez l'ensemble à l'intérieur.
- Si le débit d'eau sera coupé durant les mois d'hiver, il est cependant recommandé d'enlever l'ioniseur Triton. Coupez la pompe. Desserrez les raccords union des deux côtés du logement d'électrodes et enlevez-le. Fixez l'extrémité mâle du clapet anti-retour sur le raccord union de la conduite d'alimentation de cascade. Remettez la pompe en marche.

### Installation en ligne :

- Si le débit d'eau sera coupé durant les mois d'hiver, il est recommandé d'enlever l'ioniseur Triton et de l'entreposer. Coupez la pompe et desserrez le raccord union d'usine sur le côté cascade d'eau du logement d'électrodes, et le raccord union de fourniture locale de l'autre côté. Enlevez le logement d'électrodes, égouttez-le et entreposez-le. Si vous le souhaitez, l'appareil peut être laissé sur place avec ses deux raccords union ouverts, dans la mesure où vous ferez le nécessaire pour éviter que de l'eau ne s'accumule dans le logement d'électrodes.
- Si l'installation d'eau continue de fonctionner durant les mois d'hiver sur une installation en ligne, le logement d'électrodes et les électrodes doivent rester installés. De l'eau doit circuler en permanence dans la chambre d'électrodes pour éviter le gel.

## Garantie

L'ioniseur Triton porte une garantie limitée de trois ans. Cette garantie limitée s'applique uniquement à l'acheteur d'origine à compter de la date portée sur la facture d'achat d'origine; En voici les clauses principales:

- Le constructeur remplacera les pièces trouvées défectueuses, en incluant le panneau de commandes, le logement d'électrodes, le transformateur et les raccords.
- Les électrodes elles-mêmes sont des pièces qui s'usent et ne sont pas couvertes par cette garantie.
- Tout cordon d'alimentation secteur coupé ou altéré annulera cette garantie.
- Un mésusage ou un abus avec le produit annulera également cette garantie.

## Demandes d'application de la garantie

En cas de demandes d'application de la garantie, l'ioniseur au complet doit être renvoyé à son point d'achat accompagné de l'original du document justificatif de l'achat.

## Guide de dépannage

Coupez toujours l'alimentation électrique avant d'inspecter l'appareil. Ne pas observer cette précaution peut entraîner un accident grave.

Avant de demander des réparations, lisez attentivement ce tableau d'aide. Si le problème persiste, contactez votre revendeur.

Problème	Cause Possible	Solution Possible
Le panneau de commande ne s'illuminera pas	Pas d'alimentation au panneau de commande	Inspectez la sortie du disjoncteur de fuite à la terre ou du transformateur 12 V CA
	Défaillance du contrôleur	Communiquez avec le détaillant afin d'obtenir une réparation ou un remplacement
L'indicateur d'alimentation clignote (VERT)	Corrosion excessive ou débris coincés entre les électrodes	Retirez les électrodes en effectuant une rotation de ¼ de tour dans le sens antihoraire. Inspectez les électrodes et retirez tout débris.
	Débit d'eau entre les électrodes insuffisant	Augmentez le débit d'eau ou le diamètre des tuyaux
L'indicateur d'ionisation clignote (BLEU) tandis que l'affichage indique « 00 »	Niveau d'ionisation réglé à « 00 »	Augmentez le niveau d'ionisation sur le panneau de commande
	Le panneau de commande ne peut pas détecter une connexion à l'électrode	Inspectez la fiche de connexion rapide sur l'électrode et vérifiez que la ligne vers le panneau de commande n'est pas endommagée
	Les électrodes ne sont pas entièrement immergées dans l'eau	Vérifiez le flux d'eau dans le boîtier de l'électrode et assurez-vous que le boîtier est plein d'eau.
	Les électrodes sont entièrement épuisées	Remplacez les électrodes épuisées avec des pièces de rechange TRION-RA
Le nombre affiché sur le panneau de commande est inférieur au niveau sélectionné	L'eau n'est pas suffisamment conductrice pour le niveau d'ionisation sélectionné	Consultez la section Conductivité de l'eau à la page 11
	Les électrodes sont quasiment épuisées	Remplacez les électrodes épuisées avec des
Le niveau de cuivre est faible après 7 à 10 jours de fonctionnement	Le niveau d'ionisation est réglé trop bas	Augmentez le niveau d'ionisation et surveillez les niveaux de cuivre
	Des ions de cuivre sont consommés dans l'élément de jardin d'eau tandis qu'ils s'attaquent à l'excès de substances organiques	Retirez les feuilles en décomposition, les débris et les algues filamenteuses de l'élément de jardin d'eau afin de réduire les charges de matériaux organiques et surveillez les niveaux de cuivre.
Niveau de cuivre élevé	Le niveau d'ionisation est réglé trop haut	Réduisez le niveau d'ionisation jusqu'à « 00 » sur l'affichage jusqu'à ce que les résultats de tests soient inférieurs à 0,3 ppm. Un changement partiel de l'eau aidera également à réduire les niveaux de cuivre

## Introducción

Gracias por elegir el clarificador de agua electrónico Triton Ionizer para instalaciones acuáticas sin estanque y jardines acuáticos. Este sistema de baja tensión para manejo de agua introduce electrónicamente en el agua una cantidad minúscula de iones de cobre que controlan la proliferación orgánica y mantienen cristalino su agua. En los niveles apropiados, este agua mineralizada es segura para animales y plantas y promueve condiciones de vida saludables en el agua. El agua mineralizada mantiene una capacidad residual para tratar orgánicos y no la afecta el calor ni la luz solar, reduciendo o eliminando en gran medida la necesidad de tratamiento con químicos agresivos.

## Precaución

- NO haga funcionar este producto en ninguna condición diferente de aquéllas para las que se lo especificó. Si no se observan las precauciones puede producirse un choque eléctrico, falla del producto u otros problemas.
- Al instalar el Triton Ionizer, observe todos los códigos eléctricos aplicables.
- Para reducir el riesgo de choque eléctrico, conecte el equipo a un tomacorriente de 120 volts protegido por un interruptor de falla a tierra (GFCI).
- **ADVERTENCIA: RIESGO DE CHOQUE ELÉCTRICO: ESTE TRANSFORMADOR ESTÁ ALIMENTADO CON UN CONDUCTOR DE TIERRA Y UN ENCHUFE DE CONEXIÓN PROVISTO DE PUESTA A TIERRA. PARA REDUCIR EL RIESGO DE CHOQUE ELÉCTRICO, ASEGÚRESE DE QUE ESTÉ CONECTADO SÓLO A UN TOMACORRIENTE DEL TIPO DE CONEXIÓN A TIERRA Y CORRECTAMENTE PUESTO A TIERRA.**

## Antes de la instalación

Las cargas orgánicas pesadas y las cantidades grandes de desperdicios reducirán considerablemente la efectividad del Ionizer. Si instala el Ionizer en un estanque existente, se recomienda realizar en el mismo una limpieza a fondo antes de poner a funcionar el equipo. Si hay presencia de cantidades excesivas de desperdicios, tomará mucho más tiempo elevar el nivel mineral del agua y lograr los resultados deseados. Pruebe siempre el pH y la alcalinidad del agua antes de comenzar, de modo de tener una lectura de base para comparación durante el tratamiento.

**Nota:** para masas de agua grandes es mejor tener salidas múltiples, para que los iones de cobre se dispersen de manera uniforme. Si la masa de agua requiere más de un Triton Ionizer, se los debe interconectar mediante un colector. Esto asegura que las unidades liberen de manera uniforme la cantidad total de iones de cobre.

## Parámetros del agua para un desempeño óptimo:

El Triton Ionizer funciona mejor cuando los parámetros de la instalación acuática permanecen dentro de los límites que se indican a continuación. Los parámetros del agua de la instalación acuática pueden cambiar durante la temporada, especialmente en instalaciones que sufran una evaporación excesiva y requieran un agregado de agua considerable. Muchas veces, un simple cambio de agua puede ayudar a reponer los parámetros del agua de la instalación acuática.

### • Alcalinidad total: 80-120 ppm

**Nota:** el cobre se hace menos efectivo cuanto mayor sea la alcalinidad. Si la alcalinidad es mayor de 200 ppm, los iones de cobre permanecerán en un estado latente.

**Advertencia: los iones de cobre pueden ser tóxicos para los peces si la alcalinidad es menor de 50 ppm.**

### • pH: 7.2-7.8

**Nota:** el pH puede ser afectado por cargas pesadas o por la composición de los desperdicios

**Advertencia: los iones de cobre pueden convertirse en tóxicos cuando el pH es menor de 6.8.**

**Bajo condiciones de agua ideales, establecidas a nivel 10, se requerirán 7 días para llevar los niveles de cobre al nivel de mineralización efectivo de entre 0.1 y 0.3 partes por millón (ppm) por cada 2500 galones (9500 litros) de agua.** Volúmenes más grandes o instalaciones de agua con mala circulación requerirán más tiempo para alcanzar un nivel de mineralización efectivo. Por ejemplo, una instalación con 7500 galones (28400 litros) de agua requerirá, aproximadamente, 21 días hasta alcanzar un nivel de mineralización eficaz de entre 0.1 y 0.3 ppm. Se deberían agregar tratamientos con algas y bacterias naturales para controlar los orgánicos hasta que los iones de cobre alcancen niveles efectivos. Deberían utilizarse tratamientos bacterianos para el control de lodo en forma regular conjuntamente con el Ionizador Triton.

## Instalación

### TRION 3 con válvula de control Triton TR215CV:

Instale la válvula de retención TR215CV de Triton a la altura de descarga apropiada, de acuerdo con las instrucciones incluidas con el producto. Instale la tuerca de unión y la conexión de salida de 2" de acuerdo con las instrucciones de la válvula de retención de Triton.

Fije la conexión de salida de 2" de la válvula de retención de Triton al extremo con grifo de 2" de la cámara de electrodos. Use un limpiador y un pegamento de PVC para hacer la conexión. El Triton Ionizer puede funcionar con los electrodos orientados en dirección vertical (hacia arriba o abajo) u horizontal, y puede ajustarse en cualquier momento. Para ello se debe aflojar la tuerca de unión, girar la cámara de electrodos y volver a apretar la tuerca de unión. (Figure 1)

Fije la línea de suministro de la cascada a la salida de 2" del Triton Ionizer. Si la línea de suministro de la cascada es de 1/2" o menor, reemplace la conexión de salida de 2" del Triton Ionizer por la conexión de salida de 1/2" que se incluye con la válvula de retención de Triton. Use un limpiador y pegamento de PVC para hacer la conexión.

Instale los electrodos en la cámara de electrodos. El cuerpo del electrodo tiene una junta tórica (O-ring) doble, para asegurar un cierre hermético. Inspeccione los electrodos antes de la instalación para verificar que ambas juntas tóricas (O-rings) estén colocadas. (Figure 2)

Alinee la flecha de la parte superior de los electrodos con la flecha 'alinear' del alojamiento de los electrodos. Empuje hacia abajo los electrodos y gire en el sentido de 'cerrar' (sentido horario) hasta que las próximas flechas se alineen o la flecha del electrodo apunte directamente según la línea central de la salida del Ionizer. (Figure 3)

Monte el panel de control en la ubicación deseada. El panel de control es resistente a la intemperie, pero se lo debe montar encima del suelo, en una pared o un poste. Asegúrese de que el cordón eléctrico esté conectada a un tomacorriente con un interruptor de falla a tierra (GFCI) correctamente puesta a tierra, y de que el cordón de salida pueda llegar a los electrodos. Conecte el cordón de salida a los electrodos, y el cordón de alimentación eléctrica al transformador de 12 volts CA



Figure 1



Figure 2

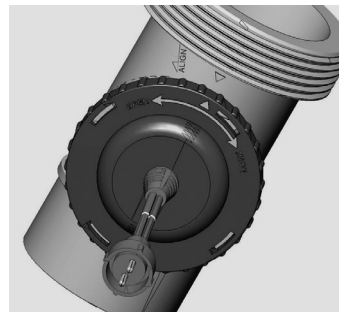


Figure 3

suministrado, por medio de los accesorios de conexión rápida. (Figure 4)

## Instalación en línea:

El Ionizador Triton se puede reacondicionar fácilmente a cualquier instalación de agua con una línea de alimentación por tubería de PVC flexible o resistente a torsiones. Si se instala al Ionizador fuera de la desnatadora o la cámara de bomba, debería usarse una caja de válvula de irrigación para proporcionar acceso para el mantenimiento de rutina.

Si se va a instalar el Ionizador en una línea de alimentación de PVC, se recomienda el uso de una unión o acoplamiento de goma de 2" sobre el extremo de la válvula de la carcasa de electrodos. Esto permitirá que se retire por completo a la carcasa de electrodos para su inspección, hibernación o reemplazo sin mayores alteraciones a la plomería. Se pueden usar empalmes de reducción de PVC para la conexión a líneas de alimentación de PVC con un diámetro inferior a los 2".

Para la instalación en líneas de alimentación de PVC con diámetros superiores a los 2", se recomienda el uso de una derivación de plomería. El uso de esta configuración de plomería permite que parte del flujo de agua se desvíe a través de la carcasa de electrodos sin causar contrapresión adicional a la bomba. (Figure 5)

Con el Ionizador Triton se suministran ajustes para inserción escalonados para conexión a tuberías de 1", 1 1/4" o 1 1/2" resistentes a torsiones. Fije los ajustes escalonados a la carcasa de electrodos con adhesivo y limpiador para PVC para realizar la conexión. Instale el ionizador y asegure la tubería con abrazaderas de manguera de acero inoxidable (no incluidas). Si se usa tubería de 1 1/4" o 1 1/2", el ajuste para inserción deberá ser cortado para proporcionar el diámetro de salida adecuado para un flujo de agua máximo. Utilice una sierra o serrucho de PVC para cortar insertos escalonados más pequeños, innecesarios, en las líneas de corte que se indican abajo. (Figure 6)

## Operación

El Triton Ionizer debe tener agua circulando por el alojamiento de electrodos en todo momento mientras la unidad esté activada. Durante la operación, los iones saltan de un electrodo al otro y son arrastrados por el agua que circula. El panel de control invierte la polaridad periódicamente, para asegurar un consumo uniforme de los electrodos. La operación del Ionizer sin un caudal de agua considerable a través de los electrodos hará que los iones sólo salten al electrodo opuesto en lugar de ser arrastrados a la instalación acuática. Este 'cortocircuito' de la distribución de iones da como resultado una corrosión excesiva de los electrodos y un tratamiento insuficiente del agua. Desconecte la alimentación del Ionizer toda vez que se desconecte la alimentación de la bomba. El panel de control regresará al nivel previo de ionización cuando se restablezca la alimentación.

- Encienda la bomba y enchúfela en el transformador exterior.
- Programe el nivel de ionización. Para ingresar en el modo Programa, oprima y retenga el



Figure 4

Figure 5

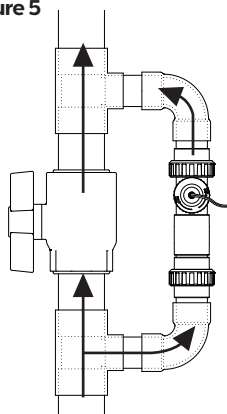
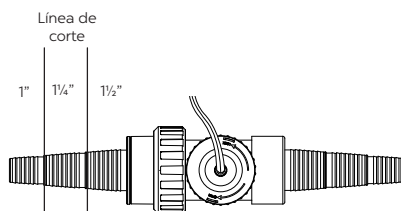


Figure 6





botón + o el botón - del frente del panel de control durante 3 segundos o hasta que la pantalla numérica comience a destellar. Use los botones + y - para aumentar y disminuir el nivel de ionización. El panel de control saldrá del modo Programa automáticamente una vez que finalicen los ajustes.

- Monitoree los niveles de cobre mediante las tiras de prueba suministradas durante un período de algunos días. Una vez que los niveles de cobre aumenten a un valor comprendido entre 0.1 y 0.3 ppm, baje el nivel de ionización al nivel 1 o 2 en el panel de control. **Precaución: los niveles de cobre por encima de 0.3ppm pueden ser dañinos para la vida acuática.** Las tiras de prueba TRION-TS suministradas con el Ionizador Triton se envasan al vacío con una vida útil de 2 años. La fecha de fabricación está impresa en la tapa del frasco. Para obtener resultados exactos reemplace las tiras de prueba vencidas.
- Pruebe el agua semanalmente para asegurarse de que las lecturas de cobre tengan el nivel correcto. Si fuera necesario, el nivel de ionización puede ajustarse por medio de los botones + y - del panel de control.
- Una vez alcanzada la claridad deseada del agua, la operación del Triton Ionizer a niveles mínimos y el ajuste en base a las condiciones de la instalación acuática ayudarán a prolongar la vida útil de los electrodos.

## Conductividad del agua

El nivel de ionización puede ajustarse en una escala que va de 1 a 10 en el modo Programa. Sin embargo, si el contenido de minerales del agua no es suficiente para obtener una conductividad adecuada, el panel de control reducirá automáticamente el nivel de ionización a fin de adaptarse al nivel de conductividad del agua.

Ejemplo: el nivel de ionización se ajusta en '10' en el modo Programa. Sin embargo, al salir del modo Programa la indicación de la pantalla cambia de '10' a '7'. Esto se debe a que el nivel de minerales del agua (conductividad) sólo es compatible con un nivel de ionización de 7. Se puede aumentar la conductividad al agregar agua salada al sistema a una tasa de ½ a 1 taza por 100 galones (3500 litros) de agua.

**Nota:** El volumen de agua, la alcalinidad total y la cantidad de desperdicios en un estanque son los factores que pueden afectar la rapidez con que se elevan los niveles de cobre. Tenga en cuenta que pueden ser necesarias varias semanas de operación para que los niveles de cobre resulten detectables. Suele suceder que las tiras de prueba muestren niveles de cobre bajos después de períodos prolongados de operación 'al máximo'. Esto se debe a que los iones de cobre se consumen dentro de la instalación acuática a medida que descomponen la materia orgánica. Si las tiras de prueba indican niveles de cobre superiores a las 0.3 ppm, reduzca la ionización a "00" hasta que los resultados de las pruebas estén dentro del rango seguro. Un cambio parcial de agua ayudará también a reducir los niveles de cobre.

## Mantenimiento e inspección

Durante la operación normal el indicador de encendido en el panel de control se iluminará permanentemente de color verde y el indicador de ionización se iluminará permanentemente de color azul. Esto indica que la unidad está funcionando correctamente y no se requiere mantenimiento. Si alguno de los indicadores estuviera destellando, consulte la sección de localización de fallas del manual para identificar la causa y la medida correctiva correspondiente.

**Nota:** Ya sea que el panel de control indique una falla de funcionamiento o no, se recomienda quitar periódicamente los electrodos e inspeccionarlos para ver si presentan corrosión o acumulación de desperdicios. Al eliminar la corrosión y los desperdicios, se prolongará la vida útil de los electrodos. Elimine la corrosión con lana de acero o un papel de lija fino.

## Acondicionamiento para el invierno

El clima frío reducirá naturalmente la proliferación orgánica, lo que por consiguiente reduce la demanda de iones de cobre. Se recomienda cerrar el Ionizador Triton durante los meses de invierno para extender la vida de los electrodos para los períodos más cálidos, cuando más se lo necesita. El panel de control es resistente a la intemperie, pero puede quitarse y almacenarse en

interiores para protegerlo más durante el invierno.

### **Instalado con la TR215CV:**

- Si la instalación acuática va a desactivarse durante los meses de invierno, se recomienda quitar el Triton Ionizer junto con la bomba y la válvula de retención. Desactive la bomba. Afloje la conexión de salida del Triton Ionizer y retire el conjunto de bomba completo. Limpie y seque bien los componentes. Luego almacénelos en interiores.
- Si la instalación acuática va a funcionar durante los meses de invierno, se recomienda quitar el Triton Ionizer. Desactive la bomba. Afloje las conexiones de unión de ambos lados del alojamiento de electrodos, y quítelos. Conecte el extremo macho de la válvula de retención a la conexión de unión de la línea de suministro de la cascada. Active la bomba.

### **Instalación en línea :**

- Si la instalación acuática va a desactivarse durante el invierno, se recomienda quitar y almacenar el Triton Ionizer. Desactive la bomba y afloje la conexión de unión de fábrica que está en el lado de la cascada del alojamiento de electrodos, así como la unión suministrada por el usuario que está en el otro lado. Retire el alojamiento de los electrodos, deságote y almacénelo. Si lo desea, puede dejar la unidad colocada con las uniones abiertas, siempre que cuide de evitar que se acumule agua en el alojamiento de electrodos del Ionizer.
- Si la instalación acuática va a funcionar durante los meses de invierno (instalación en línea), el alojamiento de electrodos y los electrodos deben quedar instalados. El agua pasará continuamente por la cámara de electrodos para evitar el congelamiento.

### **Garantía**

El Triton Ionizer tiene una garantía limitada por tres años. Esta garantía limitada se extiende exclusivamente al comprador original a partir de la fecha del recibo de la compra original. Se aplica lo siguiente:

- El fabricante reemplazará las piezas que resulten defectuosas, incluido el panel de control, alojamiento de electrodos, transformador y conexiones.
- Los electrodos son piezas que se gastan, y no están cubiertos por esta garantía.
- Un cordón de alimentación eléctrica cortado o alterado anula esta garantía.
- Un producto mal usado o maltratado anula esta garantía.

### **Reclamaciones de garantía**

En caso de reclamaciones de garantía debe regresarse el Ionizer completo al lugar en el que se lo compró, acompañado por el recibo original.

### **Guía de localización de fallas**

Desconecte siempre la alimentación eléctrica antes de la inspección. Si no se observa esta precaución, puede producirse un grave accidente.

Antes de pedir reparaciones, lea cuidadosamente este folleto de instrucciones. Si el problema persiste, contacte con su distribuidor.

<b>Problema</b>	<b>Causa posible</b>	<b>Solución posible</b>
El panel de control no se iluminará	No llega alimentación al panel de control	Inspeccione la toma GFCI / la salida del transformador de 12 V CA
	Falla del controlador	Comuníquese con el distribuidor para la reparación / el reemplazo
El indicador de encendido está titilando (VERDE)	Corrosión excesiva o desechos depositados entre los electrodos	Retire los electrodos rotándolos ¼ de giro en dirección antihoraria. Inspeccione electrodos y elimine desechos.
	Flujo de agua insuficiente a través de los electrodos	Aumente el flujo de agua / el diámetro de la tubería
El indicador de ionización está titilando (AZUL) mientras la pantalla muestra "00"	El nivel de ionización se establece en "00"	Eleve el nivel de ionización en el panel de control
	El panel de control no puede encontrar una conexión al electrodo	Inspeccione el tapón de conexión rápida en el electrodo y verifique que la línea al panel de control no está dañada.
	Los electrodos no están totalmente sumergidos en agua	Controle el flujo de agua a través de la carcasa de electrodos y verifique que la carcasa esté llena de agua.
	Los electrodos están totalmente agotados	Reemplace los electrodos agotados con TRION-RA de reemplazo
El número que se muestra en el panel de control es inferior al nivel seleccionado.	El agua no es lo suficientemente conductiva como para soportar el nivel de ionización seleccionado	Consulte Conductividad del agua en la página 17
	El electrodo está casi agotado	Reemplace los electrodos agotados con TRION2-RA de reemplazo
Nivel bajo de cobre después de 7 a 10 días de operación	Nivel de ionización establecido demasiado bajo	Aumente el nivel de ionización y controle los niveles de cobre
	Se consumen iones de cobre dentro de la instalación de agua a medida que desintegran orgánicos excesivos	Elimine hojas y desechos en descomposición y algas hilo ("string algae") de la instalación de agua para reducir las cargas de orgánicos y controlar los niveles de cobre.
Nivel alto de control	Nivel de ionización establecido demasiado alto	Reduzca el nivel de ionización a "00" en la pantalla hasta que los resultados de la prueba estén por debajo de 0.03 ppm. Un cambio parcial de agua también ayudará a reducir los niveles de cobre.



1.330.274.8317

[www.ATLANTICWATERGARDENS.com](http://www.ATLANTICWATERGARDENS.com)